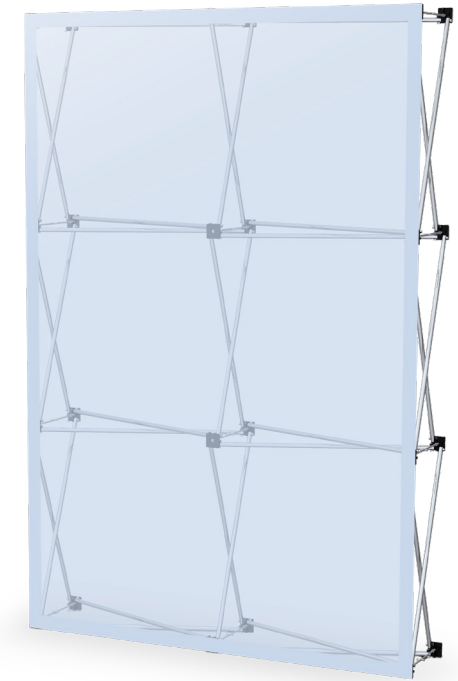
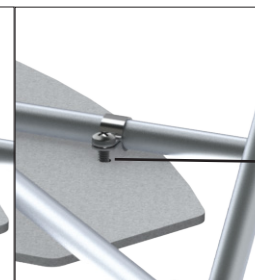
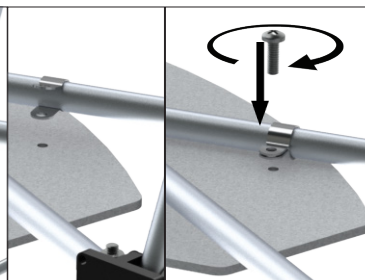
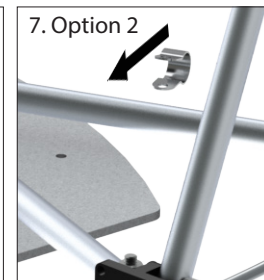
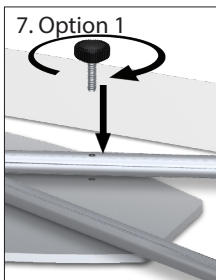
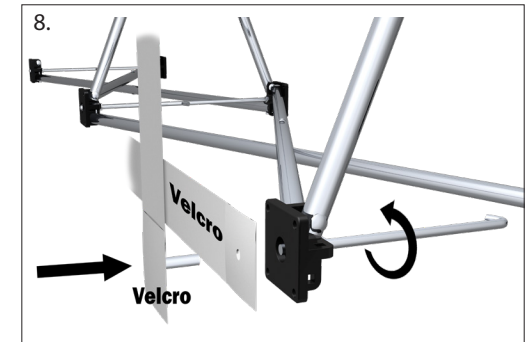
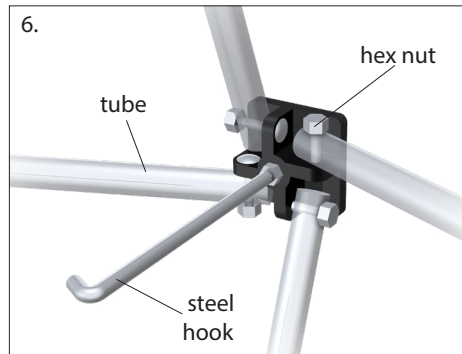
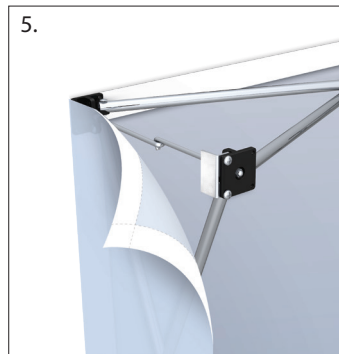
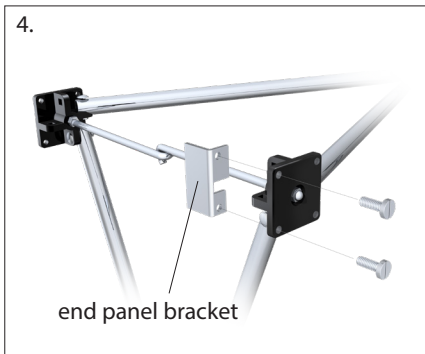
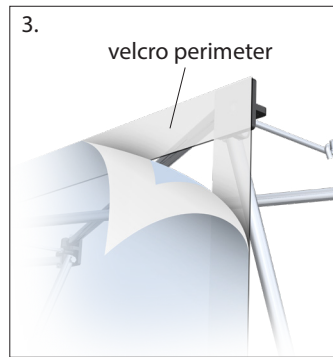
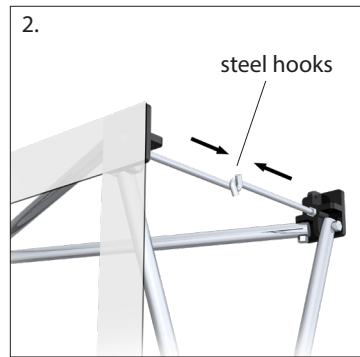
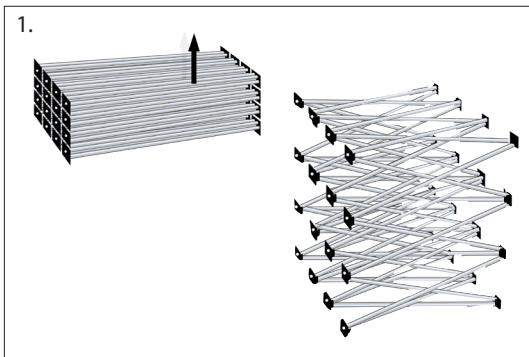


Pop-Up Presto Frames™ - PFK Series

1. Lay pop-up frame on ground and pull straight up to expand.
2. Interlock steel hooks to hold frames securely in place.
3. Attach graphic to velcro perimeter.
4. (For units using end panels) Attach end panel bracket to frame using flat-head screws.
5. (For units using end panels) Wrap graphic around end panel.
6. (For units that need hubs replaced) To replace hub, detach connected tubes by removing hex nuts and screws. Next, unscrew hook from hub. Lastly, replace new hub (installation is opposite of removal).
7. Optional Weighted Base: **Option 1:** Connect the base through the holes on the crossbars using the knobs provided. **Option 2:** Place the C-Clamp around the crossbars, then fasten the clamps to the base with the Phillips screws provided.
8. For Velcro Installation on frame: Attach the Velcro with a built in Connector to the threaded rod of the steel hook.

NOTE: Unit may differ from model shown below, but assembly is the same.



PFK23 shown